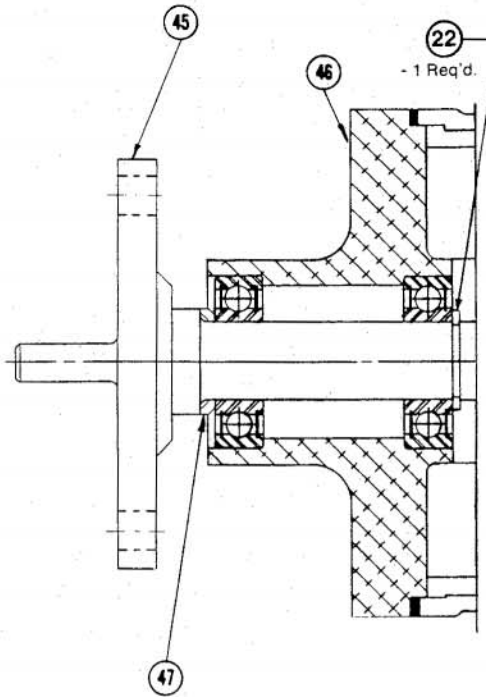
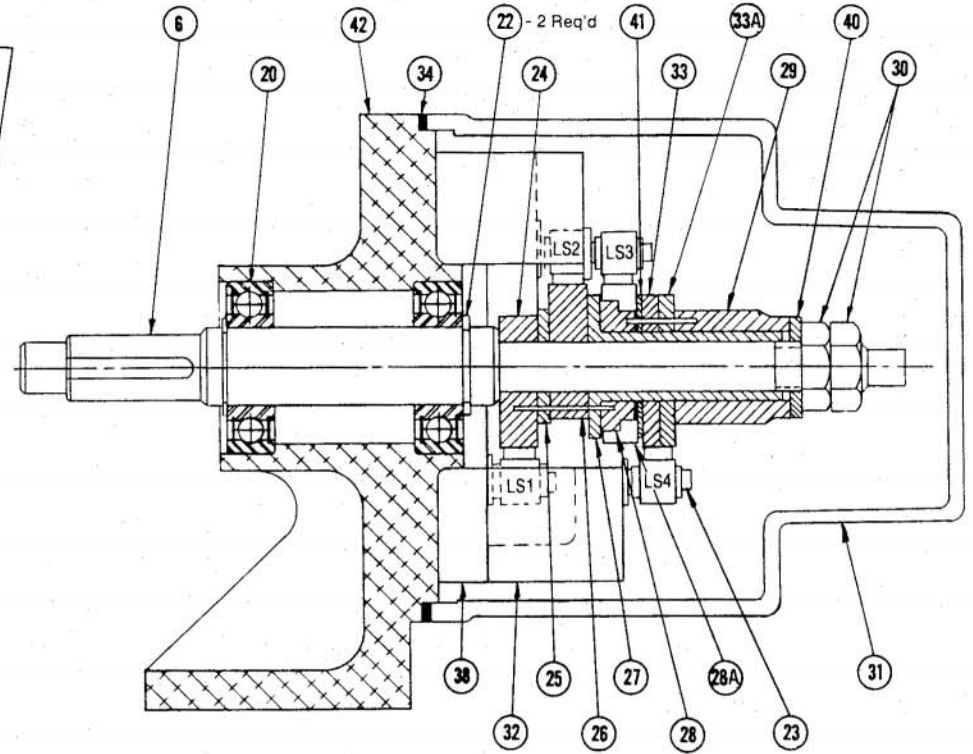


Item No.	Part No.	Description	No. Req.
6	302276	Shaft	1
20	159 x 41	Bearing	2
22	139 x 12	Snap ring	1
23	See table C	Breaker points	4
24	See table C	No. 1 cam	1
25	201854	Washer	1
26	See table C	No. 2 cam	1
27	201869	Cam adjusting sleeve	1
28	See table C	No. 3 cam insert	1
28A	306030	No. 3 cam	1
29	203003	Cam adjusting knob	1
30	61 x 22	Jam nut	2
31	412230	End cap	1
32	409346	Bridge	1
33	See table C	No. 4 cam	1
33A	See table C	No. 5 cam	1
34	119 x 23	Felt seal	1
38	507137	Mounting plate	1
40	153 x 530	Fiat washer	1
41	203107	Spacer	1
42	404583	Housing	1
45	411367	Shaft	1
46	405330	Housing	1
47	203351	Spacer	1



SHAFT MOUNTED  
CAM LIMIT SWITCH



FOOT MOUNTED  
CAM LIMIT SWITCH

The part no. for the complete assembly is stamped on the timer decal. Identify the timer with this number when specifying component parts.

TABLE C

Complete Assembly Part Number For:		Direction of Rotation	Part No.					Item No. 33A No. 5 Cam
Shaft Mounted	Foot Mounted		Item No. 23 Breaker Points	Item No. 24 No. 1 Cam	Item No. 26 No. 2 Cam	Item No. 28 No. 3 Cam Insert	Item No. 33 No. 4 Cam	
145748 AL	145748 AO	Clockwise	133 x 201	201856	201857	306029	203256	203257
145748 AM	145748 AR	Clockwise	133 x 200	201858	201859	306028	203254	203255
145748 AN	145748 AS	Clockwise 30° Dwell	133 x 201	201861	201862	306029	203256	203257
145748 AP	145748 AT	Clockwise 30° Dwell	133 x 200	201863	201864	306028	203254	203255

Part No. for Optional Cam No. 3 (Item No. 28A), is as follows:  
203002 (For clockwise and clockwise 30° dwell)  
203087 (for c'lockwise and c'lockwise 30° dwell)

Authorized Distributor



26255 Groesbeck Hwy.  
Warren, MI 48089 U.S.A.  
586.775.3000 • 586.775.3040 (Fax)  
sales@midwestbrake.com  
www.midwestbrake.com

**Eaton® Airflex® Clutches & Brakes**

Eaton Corporation  
Airflex Division  
Cleveland, Ohio 44144

**EAT•N**

PRINTED IN U. S. A.