

EATON

Airflex

Airflex® CBC Clutch/Brake Combination

Today's answer for high cyclic,
heavy-duty industrial applications.



Authorized Distributor



26255 Groesbeck Hwy.
Warren, MI 48089 U.S.A.
586.775.3000 • 586.775.3040 (Fax)
sales@midwestbrake.com
www.midwestbrake.com

Eaton® Airflex® Clutches & Brakes

CBC Clutch/Brake Combination

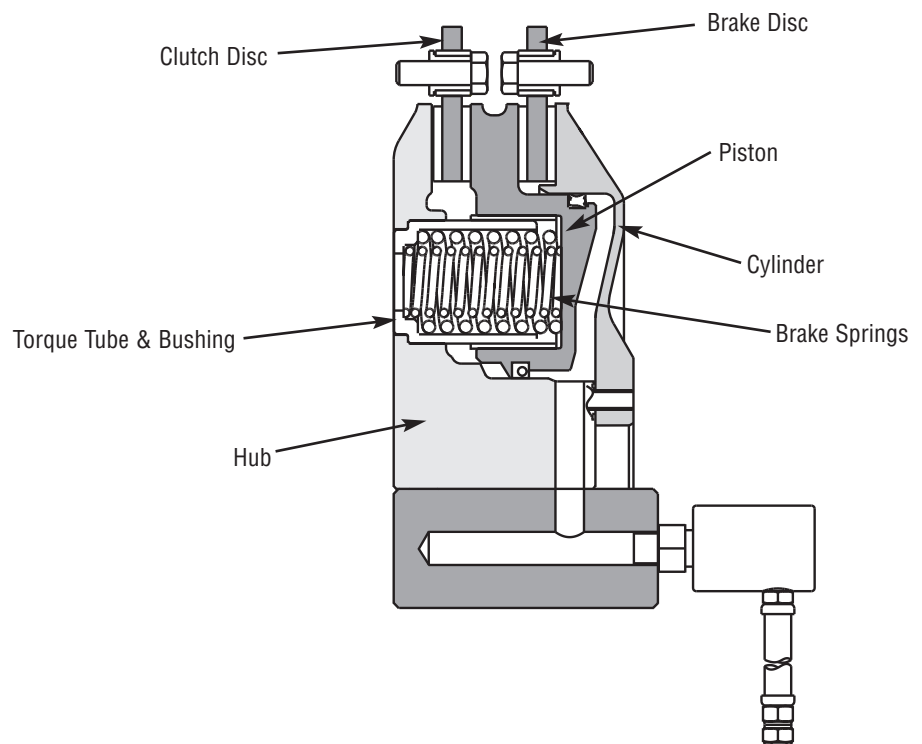
The Airflex® CBC clutch/brake combination consists of an air-actuated disc clutch and a spring-applied disc brake. Its compact design combined with its high thermal capacity and low air consumption makes it ideal for high speed, high cyclic, heavy-duty industrial applications.

The CBC hub is pressed on and keyed to the driven shaft. The clutch disc is fastened to the driving member (a flywheel in most applications). The brake disc is reacted to the machine. Three different means of disc attachment results in five possible mounting arrangements. Operation is simple. When the cylinder is pressurized, the piston clamps the clutch disc to the hub, which transmits torque to the shafts. When the cylinder exhausts, the springs move the piston shaft. Overlapping cannot occur between the clutching and braking. Efficient cooling permits a stable coefficient of friction resulting in reproducible torque control. Minimal torque loss combined with generous friction lining area results in low operating and maintenance costs.

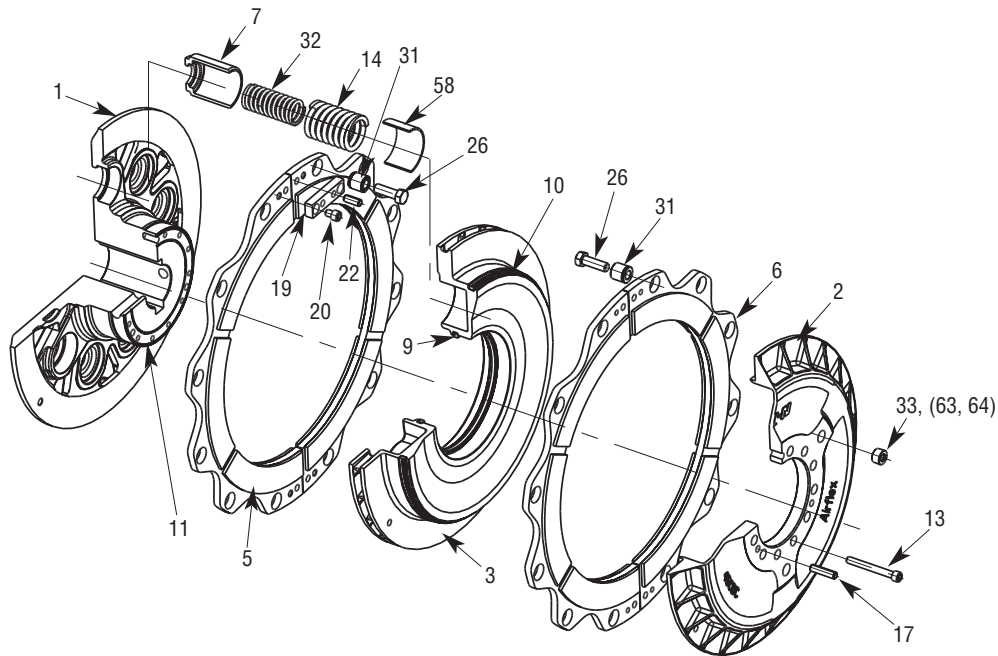
CBC units are available in 14 standard sizes with clutch torque to 1,140,000 lb-in (129,000 N·m) and brake torque to 529,000 lb-in (60,000 N·m).

Where used:

- Automatic Punching Machines
- Press Brakes
- Printing Machines
- Shears
- Stamping and Forming Presses
- Woodworking Machines



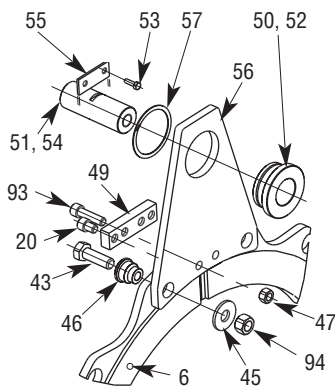
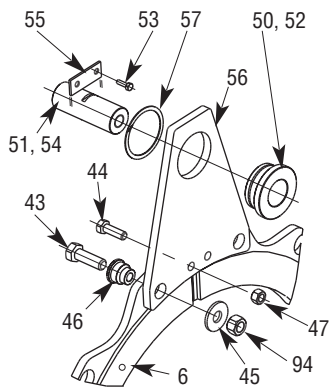
CBC Clutch/Brake Combination Component Parts



Long Arm Components

Sizes 5-25

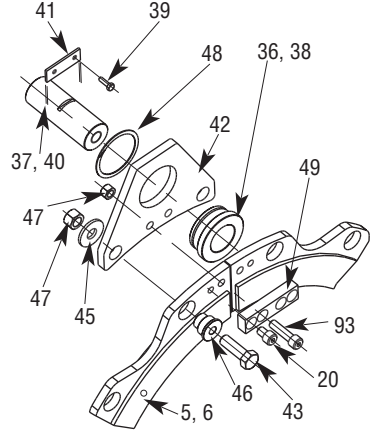
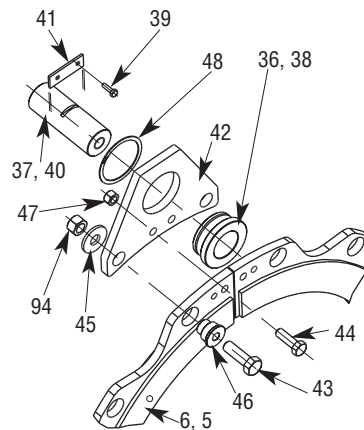
Sizes 30-72



Short Arm Components

Sizes 5-25

Sizes 30-72



Item	Description
1	Hub
2	Cylinder
3	Piston
5	Clutch Friction Disc
6	Brake Friction Disc
7	Torque Tube
9	Piston Seal (ID)
10	Piston Seal (OD)
11	Face Seal
13	Socket Head Screw
14	Outer Spring
17	Spring Pin
19	Strap
20	Socket Head Screw
22	Spring Pin
26	Hex Head Screw

Item	Description
31	Bushing
32	Inner Spring
33	Plug
36	Short Arm Bushing (round)
37	Short Arm Reaction Pin (round)
38	Short Arm Bushing (rectangular)
39	Hex Head Screw
40	Short Arm Reaction Pin (square)
41	Retaining Plate
42	Short Reaction Arm
43	Hex Head Screw
44	Hex Head Screw
45	Washer
46	Bushing
47	Nut
48	Retaining Ring

Item	Description
49	Strap (sizes 30-72)
50	Long Arm Bushing (round)
51	Long Arm Reaction Pin (round)
52	Long Arm Bushing (rectangular)
53	Hex Head Screw
54	Long Arm Reaction Pin (square)
55	Retaining Plate
56	Long Arm Reaction Arm
57	Retaining Ring
58	Torque Tube Bushing
63	Quick release Valve (not shown)
64	Manual Release Screw (not shown)
93	Socket Head Screw
94	Nut

CBC Clutch/Brake Combination — Dimensional Data: BB Arrangement

English	Dimensions in inches												
5CBC	0.94	1.18	7.72	2.61	6.535	0.281	0.67	0.45	0.68	7.165	1.969	1.654	0.118
10CBC	1.10	1.38	8.66	2.96	7.402	0.312	0.71	0.48	0.83	8.071	2.283	1.929	0.118
15CBC	1.46	1.73	10.83	3.70	9.252	0.344	0.79	0.60	0.92	10.039	2.559	2.165	0.157
20CBC	1.61	2.56	13.66	4.79	11.969	0.469	0.87	0.70	1.12	12.795	3.228	2.795	0.157
25CBC	2.24	3.15	17.13	5.96	14.901	0.562	1.14	0.87	1.41	16.063	3.937	3.307	0.197
30CBC	2.76	4.06	21.06	7.30	18.248	0.562	1.26	1.03	1.66	19.685	4.921	4.213	0.197
35CBC	3.07	4.06	22.44	7.84	19.606	0.719	1.48	1.07	1.86	21.102	5.512	4.724	0.197
40CBC	3.11	4.25	24.41	8.55	21.378	0.719	1.496	1.05	1.93	22.992	5.710	4.880	0.182
45CBC	3.50	4.57	26.77	9.34	23.346	0.750	1.673	1.20	2.25	25.197	6.300	5.300	0.243
50CBC	4.02	5.63	30.51	10.68	26.700	0.813	1.890	1.40	2.52	28.543	7.280	6.180	0.170
55CBC	4.45	6.30	34.06	11.94	29.850	0.813	2.165	1.63	2.91	31.890	8.070	6.970	0.305
60CBC	5.08	7.01	39.37	13.94	34.843	0.938	2.559	1.68	3.06	37.205	9.470	8.270	0.197
66CBC	5.98	7.05	39.37	15.83	39.567	1.125	2.756	2.36	3.44	42.520	10.542	8.972	0.197
72CBC	5.12	7.87	45.28	17.95	44.882	1.250	3.543	2.56	3.86	48.031	12.300	10.500	0.197
Size	D _{min}	D _{max} ②	D _a	D ₁	D ₂	d	G	G ₁	G ₂	K ①	L	M	S
5CBC	24	30	196	66	166	7	17	11	17	182	50	42	3
10CBC	28	35	220	75	188	8	18	12	21	205	58	49	3
15CBC	37	44	275	94	235	9	20	15	23	255	65	55	4
20CBC	46	65	347	122	304	12	22	18	28.5	325	82	71	4
25CBC	57	80	435	151	378	14	29	22	36	408	100	84	5
30CBC	70	103	536	185	463	14	32	26	42	500	125	107	5
35CBC	78	103	570	199	498	18	37.5	27	48	536	140	120	5
40CBC	79	108	620	217	543	18	38	27	49	584	145	124	5
45CBC	89	116	680	237	593	19	42.5	31	57	640	160	135	6
50CBC	102	143	775	271	678	21	48	35	64	725	185	157	4
55CBC	113	160	865	303	758	21	55	41	74	810	205	177	8
60CBC	129	176	1,000	354	885	24	65	43	78	945	241	210	5
66CBC	152	179	1,000	402	1,005	29	70	60	87	1,080	268	228	5
76CBC	130	200	1,150	456	1,140	32	90	65	98	1,220	312	267	5
SI	Dimensions in millimeters												

* Dimensions shown are for reference only. Consult factory for specific installation information.

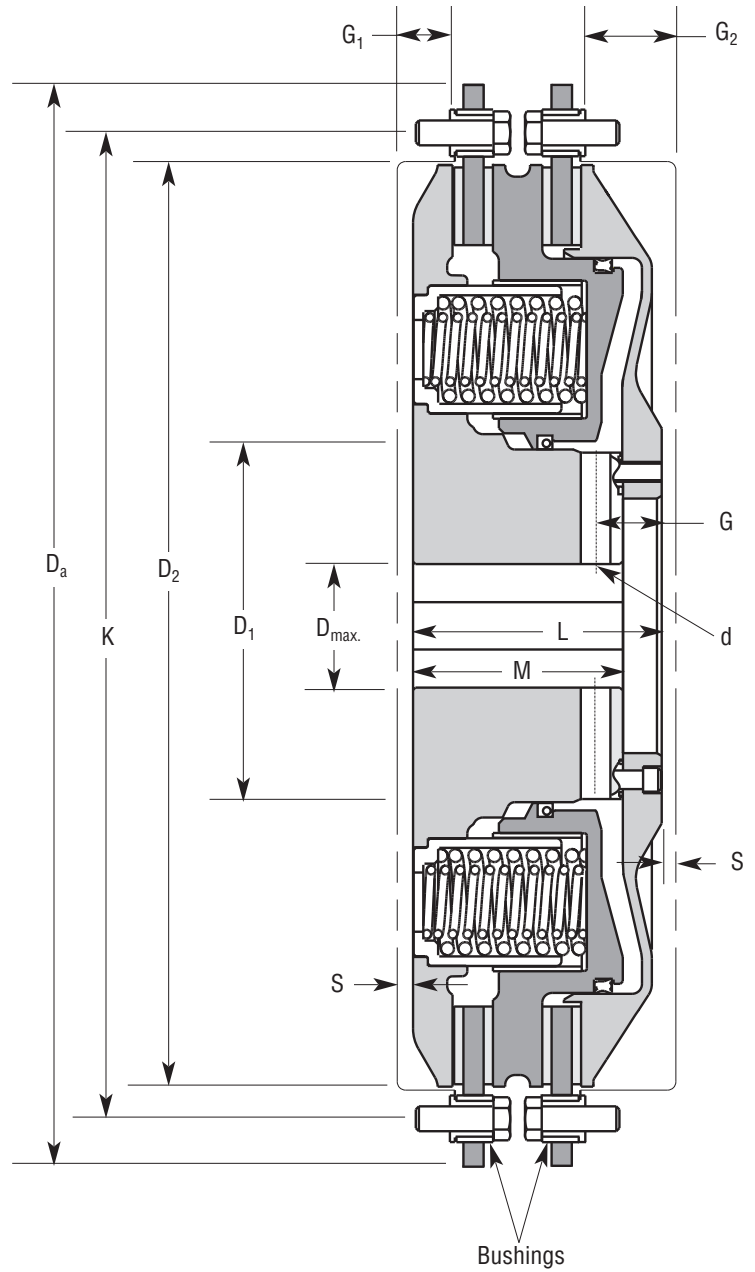
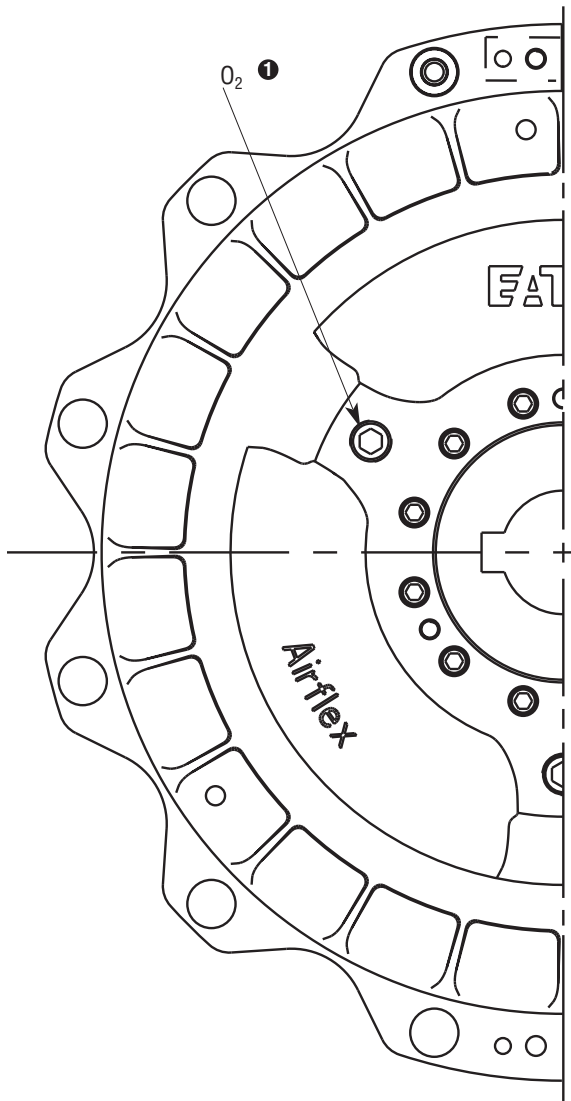
Kit Description	Alpha Designation
Bushing Kit	AA
Short Arm Kit	BB
Long Arm Kit	CC
Lining Kit	DD
Piston Seal Kit	FF

Note:

- ① Tolerance: +0.004/-0.004 in.
+0.10/-0.10 mm
- ② Maximum bores are based on two flat English keys. Consult factory for other arrangements.

CBC Size	Basic Part Number	Basic Kit Part Number
5	108028	146482
10	108029	146483
15	108030	146484
20	108031	146485
25	108032	146486
30	108033	146487
35	108034	146488
40	108035	146489
45	108036	146490
50	108037	146491
55	108038	146492
60	108039	146493
66	108040	146494
72	108041	146495

CBC Clutch/Brake Combination — Dimensional Data: BB Arrangement



BB Arrangement

The standard CBC mounting arrangement utilizes 12 bushings (shown above) to guide each friction disc. The clutch friction disc bushings attach to the driving component. The brake friction disc bushings attach to a stationary reaction member. Optional mounting arrangements using arms and bushings are shown, as well as their mounting dimensions, on the following pages.

Size	Airflex Rotorseal Size
5CBC	B3
10 thru 20 CBC	C2
25 thru 45 CBC	1RH
50 & 55 CBC	1 1/4 RH
60 & 66 CBC	1 1/2 RH
72 CBC	2 RH

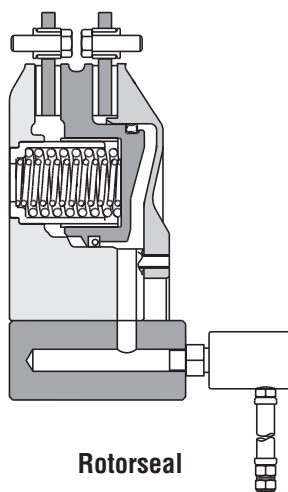
Note:

❶ Consult factory for dimensional data.

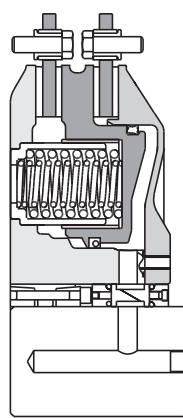
CBC Clutch/Brake Combination — Optional Mounting Arrangements*

English	Dimensions in inches									
5CBC	9.055	12.008	10.31	13.27	7.165	1.98	1.043	1.96	0.57	0.14
10CBC	9.843	12.795	11.10	14.06	8.071	2.23	1.181	2.21	0.68	0.14
15CBC	12.402	16.142	14.17	17.40	10.039	3.15	1.500	2.92	0.66	0.39
20CBC	15.354	19.291	17.13	20.55	12.795	3.52	1.969	3.28	1.03	0.39
25CBC	19.488	25.000	22.05	26.77	16.063	4.35	2.047	4.03	0.86	0.51
30CBC	24.016	31.102	27.36	33.66	19.685	5.16	2.598	4.85	1.25	0.51
35CBC	25.394	32.677	28.74	35.24	21.102	5.50	2.953	5.19	1.57	0.51
40CBC	27.362	34.843	30.71	37.40	22.992	5.98	3.228	5.57	1.77	0.59
45CBC	30.315	38.976	34.25	42.32	25.197	6.40	3.268	6.05	1.72	0.59
50CBC	34.646	44.685	39.37	48.62	28.543	7.28	3.858	6.86	2.04	0.59
55CBC	38.189	48.622	42.91	52.56	31.890	7.92	4.331	7.64	2.42	0.59
60CBC	44.882	57.087	50.39	61.81	37.205	9.21	5.709	8.81	3.63	0.59
66CBC	51.181	64.764	57.48	70.47	42.520	10.57	6.772	10.18	4.02	0.59
72CBC	57.677	73.031	63.98	78.54	48.031	12.26	6.693	11.87	3.74	0.59
Size	A	A ₁	B	B ₁	K	L ₁	L ₂	L ₄	L ₅	O
5CBC	230	305	262	337	182	50	26,5	50	15	3,5
10CBC	250	325	282	357	205	57	30	56	17	3,5
15CBC	315	410	360	442	255	80	38	74	17	10
20CBC	390	490	435	522	325	89	50	83	26	10
25CBC	495	635	560	680	408	110	52	102	22	13
30CBC	610	790	695	855	500	131	66	123	32	13
35CBC	645	830	730	895	536	140	75	132	40	13
40CBC	695	885	780	950	584	152	82	142	45	15
45CBC	770	990	870	1,075	640	162	83	154	44	15
50CBC	880	1,135	1,100	1,235	725	185	98	174	52	15
55CBC	970	1,235	1,090	1,335	810	201	110	194	61	15
60CBC	1,140	1,450	1,280	1,570	945	234	145	224	92	15
66CBC	1,300	1,645	1,460	1,790	1,080	269	172	258	102	15
72CBC	1,465	1,855	1,625	1,995	1,220	311	170	301	95	15
SI	Dimensions in millimeters									

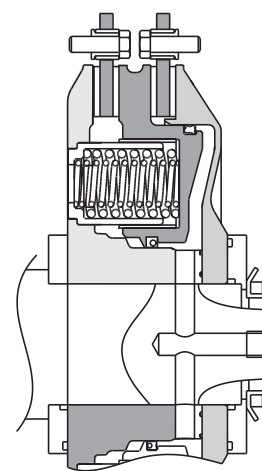
* Dimensions shown are for reference only. Consult factory for specific installation information.



Rotorseal



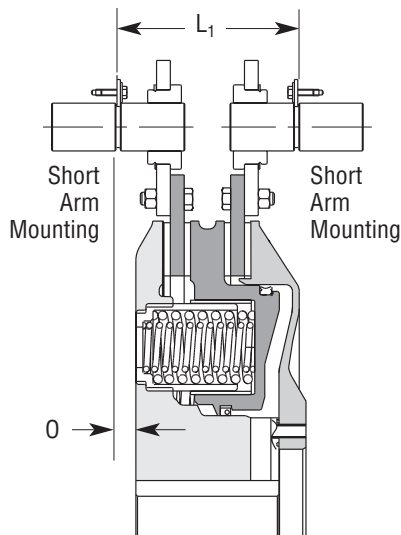
Locking Assembly and Seal



Face Seal

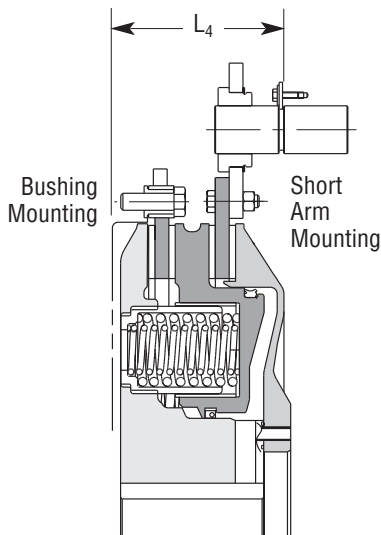
Alternate methods of sealing air supply between the clutch/brake housing and shaft.

CBC Clutch/Brake Combination — Optional Mounting Arrangements



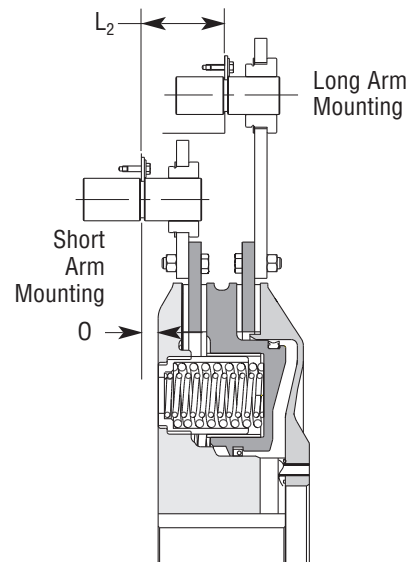
SS Arrangement

The clutch and brake frictions discs each use two short arms for mounting. The arms are located 180° apart and are pin reacted.



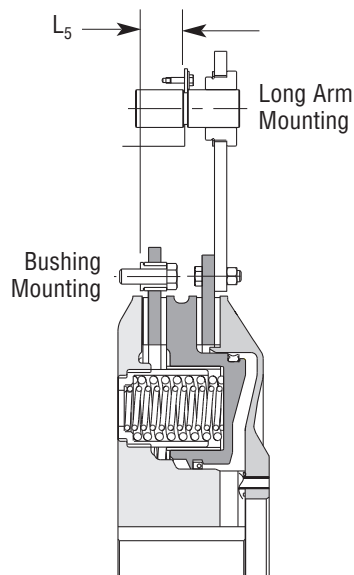
BS Arrangement

In this arrangement, twelve bushings are used for clutch friction disc mounting. Two short arms are used for mounting and reacting the brake friction disc.



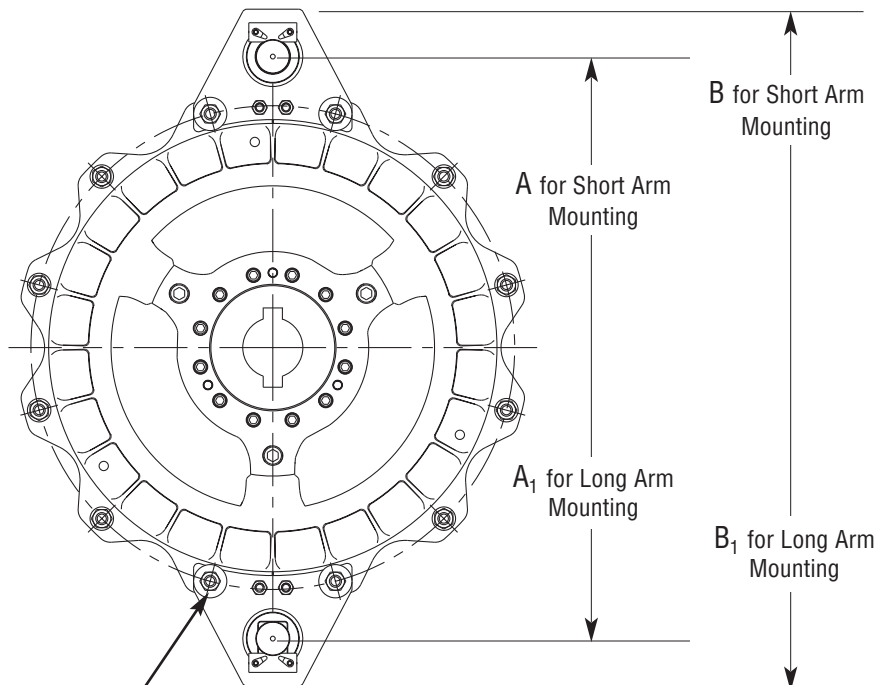
SL Arrangement

In this arrangement, a short pair of arms are used for mounting the clutch friction disc. A longer pair of arms are used for mounting and reacting the brake friction disc.



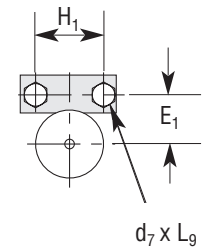
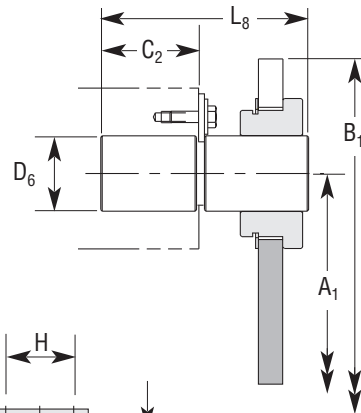
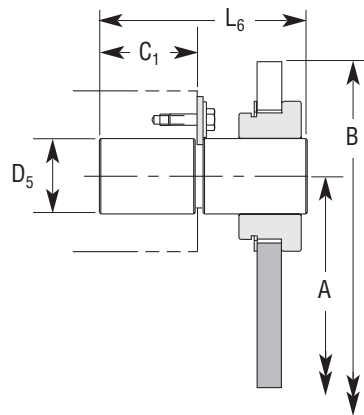
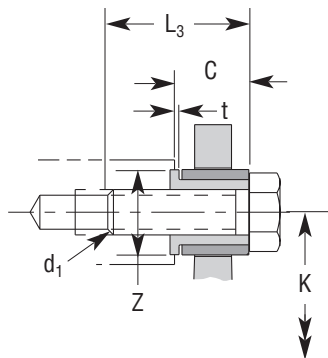
BL Arrangement

This arrangement uses twelve bushings for clutch friction disc mounting and two long arms for mounting and reacting the brake friction disc.



CBC Clutch/Brake Combination — Bushing and Arm Mounting Dimensions*

Bushing Mounting Dimensions



Long Arm Reaction Pin Mounting Dimensions

Short Arm Reaction Pin Mounting Dimensions

English	Dimensions in inches					
5	0.35	M5	0.63	0.08	7.17	0.39
10	0.43	M5	0.79	0.08	8.07	0.39
15	0.47	M6	0.79	0.08	10.04	0.47
20	0.59	M8	0.98	0.12	12.80	0.58
25	0.75	M10	1.18	0.12	16.06	0.71
30	0.87	M14	1.58	0.12	19.68	0.99
35 & 40	1.06	M14	1.77	0.12	22.99	0.99
45	1.10	M16	1.97	0.20	25.20	1.19
50	1.38	M20	2.36	0.20	28.54	1.39
55	1.42	M24	2.76	0.20	31.89	1.61
60	1.58	M24	2.76	0.20	37.20	1.60
66	1.97	M30	3.54	0.20	42.52	2.03
72	1.97	M30	3.54	0.20	48.03	2.02
Size	C	d ₁ ①	L ₃	t	K	z
5	9	M5	16	2	182	10
10	11	M5	20	2	205	10
15	12	M6	20	2	255	12
20	15	M8	25	3	325	15
25	19	M10	30	3	408	18
30	22	M14	40	3	500	25
35 & 40	27	M14	45	3	584	25
45	28	M16	50	5	640	30
50	35	M20	60	5	725	35
55	36	M24	70	5	810	41
60	40	M24	70	5	945	41
66	50	M30	90	5	1.080	52
72	50	M30	90	5	1.220	51
SI	Dimensions in millimeters					

English	Dimensions in inches						
5 & 10	0.79	M4	0.55	0.43	0.79	1.77	0.47
15 & 20	1.38	M5	0.87	0.63	0.98	2.85	0.63
25	1.77	M5	1.18	0.79	0.98	3.54	0.63
30-40	1.97	M6	1.57	1.06	1.38	4.33	0.79
45	2.36	M6	1.77	1.16	1.38	4.92	0.79
50 & 55	2.76	M8	2.17	1.52	1.77	5.51	0.98
60 & 66	3.54	M8	2.56	1.75	1.77	7.68	0.98
72	4.33	M8	3.15	1.99	1.77	9.06	0.98
Size	C ₁	d ₄ ①	D ₅	E	H	L ₆	L ₇
5 & 10	20	M4	14	11	20	45	12
15 & 20	35	M5	22	16	25	72,5	16
25	45	M5	30	20	25	90	16
30-40	50	M6	40	27	35	110	20
45	60	M6	45	29,5	35	125	20
50 & 55	70	M8	55	38,5	45	140	25
60 & 66	90	M8	65	44,5	45	195	25
72	110	M8	80	50,5	45	230	25
SI	Dimensions in millimeters						

English	Dimensions in inches							
5 & 10	0.79	M4	0.55	0.43	0.79	1.77	0.47	
15 & 20	0.79	M4	0.55	0.43	0.79	1.77	0.47	
25	1.38	M5	0.87	0.63	0.98	2.85	0.63	
30-40	1.77	M5	1.18	0.79	0.98	3.54	0.63	
45	1.97	M6	1.58	1.06	1.38	4.33	0.79	
50 & 55	2.36	M6	1.77	1.16	1.38	4.92	0.79	
60 & 66	2.76	M8	2.17	1.52	1.77	5.51	0.98	
72	3.54	M8	2.56	1.75	1.77	7.68	0.98	
Size	C ₂	d ₇ ①	D ₆	E ₁	H ₁	L ₈	L ₉	
5 & 10	20	M4	14	11	20	45	12	
15 & 20	20	M4	14	11	20	45	12	
25	35	M5	22	16	25	72	16	
30-40	45	M5	30	20	25	90	16	
45	50	M6	40	27	35	110	20	
50 & 55	60	M6	45	30	35	125	20	
60 & 66	70	M8	55	39	45	140	25	
72	90	M8	65	45	45	195	25	
SI	Dimensions in millimeters							

* Dimensions shown are for reference only. Consult factory for specific installation information.

Note:

① Metric Bolts

CBC Clutch/Brake Combination — Technical Data

English	Housing All Types	Clutch Disc		rpm	BB	SS	SL	BS	BL
		BB, BS, BL	SS, SL						
5CBC	0.2	0.1	0.1	2800	11	11	12	11	11
10CBC	0.5	0.1	0.2	2800	16	20	20	17	18
15CBC	1.3	0.6	1.3	2500	30	35	35	30	35
20CBC	4.2	2.1	3.3	1800	60	65	65	60	62
25CBC	12.5	4.8	8.9	1400	110	116	118	111	113
30CBC	30.2	15	29	1200	165	195	196	180	183
35CBC	46	22	38	1100	210	240	245	225	230
40CBC	62	30	50	1000	255	290	290	270	275
45CBC	104	51	83	900	355	395	405	375	385
50CBC	191	95	173	800	530	605	620	570	585
55CBC	332	179	281	700	750	860	875	805	820
60CBC	668	345	583	600	1240	1380	1395	1310	1325
66CBC	1129	345	583	600	1545	1690	1700	1620	1630
72CBC	3279	1131	1845	500	3090	3355	3400	3225	3270
Size		Wk ² lb-ft ² J kg-m ²		Max. Speed ①				Weight lb Mass kg	
5CBC	0,008	0,003	0,005	2800	4,8	5,2	5,3	5,0	5,1
10CBC	0,020	0,005	0,0075	2800	7,3	8,5	8,7	7,9	8,1
15CBC	0,055	0,025	0,055	2500	13,0	15,5	16,0	14,3	14,8
20CBC	0,175	0,088	0,138	1800	26,0	29,0	29,5	27,5	28,0
25CBC	0,55	0,200	0,375	1400	48,5	52,5	53,5	50,5	51,5
30CBC	1,3	0,625	1,225	1200	75	88	89	82	83
35CBC	2,0	0,925	1,60	1100	95	109	111	102	104
40CBC	2,75	1,25	2,08	1000	115	130	132	123	125
45CBC	4,63	2,13	3,50	900	160	179	183	170	174
50CBC	8,75	4,0	7,25	800	240	275	282	258	265
55CBC	15,0	7,5	11,8	700	340	390	397	365	372
60CBC	28,8	14,5	24,5	600	560	625	631	593	599
66CBC	48,8	14,5	24,5	600	700	765	771	733	739
72CBC	137,7	47,5	77,5	500	1400	1520	1540	1460	1480
SI	Housing All Types	BB, BS, BL Clutch Disc	SS,SL	rpm	BB	SS	SL	BS	BL

Note:

- ① Maximum speed for non-cyclic operation.
Maximum speed for single stroke operation is dependent upon clutch and brake thermal requirements.

CBC Clutch/Brake Combination — Torque Ratings (English Units)

Standard stock units are shaded.

CBC Size	No. of PS	No. of SS	Dynamic Brake Torque lb-in ①	Brake Release Pressure psi	Static Clutch Torques (lb-in) at Various Pressures (psi) ①						
					85 ②	80	75	70	65	60	55
5	9	6	1,200	32	2,500	2,200	2,000	1,800	1,500	1,300	1,000
	9	9	1,300	35	2,300	2,000	1,800	1,600	1,300	1,100	900
	9	0	900	24	2,800	2,600	2,400	2,100	1,900	1,700	1,400
	0	9	400	12	3,400	3,200	2,900	2,700	2,500	2,200	2,000
10	9	6	1,900	32	4,000	3,700	3,300	2,900	2,500	2,100	1,700
	9	9	2,200	36	3,700	3,300	3,000	2,600	2,200	1,800	1,400
	9	0	1,400	24	4,700	4,300	3,900	3,500	3,100	2,700	2,300
	0	9	700	12	5,600	5,200	4,800	4,400	4,000	3,700	3,300
15	9	6	3,800	32	7,800	7,100	6,300	5,600	4,800	4,100	3,400
	9	9	4,200	36	7,200	6,500	5,700	5,000	4,300	3,500	2,800
	9	0	2,800	24	9,000	8,200	7,500	6,800	6,000	5,300	4,500
	0	9	1,400	12	10,700	10,000	9,300	8,500	7,800	7,100	6,300
20	9	6	7,700	33	14,800	13,400	11,900	10,500	9,000	7,600	6,200
	9	9	8,700	37	13,600	12,200	10,700	9,300	7,800	6,400	5,000
	9	0	5,800	25	17,200	15,800	14,300	12,900	11,400	10,000	8,600
	0	9	2,900	12	20,800	19,400	19,900	16,500	15,100	13,600	12,200
25	9	6	16,100	33	30,500	27,500	24,500	21,600	18,600	15,600	12,600
	9	9	18,200	38	28,000	25,000	22,000	19,100	16,100	13,100	10,100
	9	0	12,100	25	35,500	32,500	29,600	26,600	23,600	20,600	17,700
	0	9	6,000	13	43,000	40,000	37,100	34,100	31,100	28,100	25,200
30	9	6	29,300	33	55,700	50,200	44,800	39,400	34,000	28,600	23,200
	9	9	32,900	37	51,100	45,700	40,300	34,900	29,500	24,100	18,700
	9	0	21,900	25	64,700	59,300	53,900	48,500	43,100	37,700	32,300
	0	9	10,900	12	78,300	72,900	67,500	62,100	56,700	51,300	45,900
35	9	6	37,500	33	70,500	63,600	56,700	49,900	43,000	36,100	29,200
	9	9	42,100	38	64,700	57,800	50,900	44,100	37,200	30,300	23,400
	9	0	28,100	25	82,100	75,200	68,300	61,500	54,600	47,700	40,800
	0	9	14,000	13	99,500	92,600	85,700	78,900	72,000	65,100	58,200
40	9	6	46,000	33	79,800	72,100	64,300	56,500	48,800	41,000	33,300
	9	9	51,800	37	73,300	65,600	57,800	50,100	42,300	34,600	26,800
	9	0	34,600	25	92,800	85,000	77,300	69,500	61,700	54,000	46,200
	0	9	17,200	12	112,400	104,700	96,900	89,100	81,400	73,600	65,900
45	9	6	66,600	33	115,000	104,000	93,000	81,000	70,000	59,000	48,000
	9	9	75,000	37	106,000	94,000	83,000	72,000	61,000	50,000	38,000
	9	0	50,000	25	134,000	123,000	111,000	100,000	89,000	78,000	66,000
	0	9	25,000	12	162,000	151,000	139,000	128,000	117,000	106,000	95,000
50	9	6	90,000	34	151,000	136,000	121,000	106,000	92,000	77,000	62,000
	9	9	101,300	38	138,000	124,000	109,000	94,000	79,000	64,000	50,000
	9	0	67,600	25	176,000	161,000	146,000	131,000	117,000	102,000	87,000
	0	9	33,600	13	213,000	199,000	184,000	169,000	154,000	140,000	125,000
55	9	6	120,000	33	206,000	186,000	166,000	146,000	126,000	106,000	86,000
	9	9	135,000	38	189,000	169,000	149,000	129,000	109,000	89,000	69,000
	9	0	90,000	25	240,000	220,000	200,000	180,000	160,000	139,000	119,000
	0	9	45,000	13	290,000	270,000	250,000	230,000	210,000	190,000	170,000
60	9	6	189,000	32	346,000	313,000	280,000	247,000	215,000	182,000	149,000
	9	9	213,000	36	319,000	286,000	254,000	221,000	188,000	155,000	123,000
	9	0	142,000	24	398,000	366,000	333,000	300,000	267,000	235,000	202,000
	0	9	71,000	12	477,000	445,000	412,000	379,000	346,000	314,000	281,000
66	9	6	330,000	34	559,000	505,000	450,000	396,000	341,000	287,000	233,000
	9	9	372,000	38	514,000	459,000	405,000	350,000	296,000	241,000	187,000
	9	0	247,000	25	651,000	597,000	542,000	488,000	433,000	379,000	324,000
	0	9	124,000	13	788,000	734,000	679,000	625,000	570,000	516,000	461,000
72	9	6	470,000	33	816,000	737,000	658,000	580,000	501,000	423,000	344,000
	9	9	529,000	37	751,000	672,000	593,000	515,000	436,000	358,000	279,000
	9	0	352,000	25	946,000	867,000	788,000	710,000	631,000	553,000	474,000
	0	9	176,000	12	1,140,000	1,061,000	983,000	904,000	826,000	747,000	669,000

① Ratings are with new linings. Reduce clutch torque by 10% and brake torque by 15% for fully worn linings. ② Maximum allowable pressure 100 psi.

CBC Clutch/Brake Combination — Torque Ratings (Metric Units)

Standard stock units are shaded.

CBC Size	No. of PS	No. of SS	Dynamic Brake Torque N-m ①	Brake Release Pressure bar	Static Clutch Torques (N-m) at Various Pressures (bar) ①						
					6 ②	5,5	4	4,5	4	3,5	3
5	9	6	136	2,18	282	249	226	203	169	147	113
	9	9	147	2,45	260	226	203	181	147	124	102
	9	0	102	1,63	316	294	271	237	215	192	158
	0	9	45	0,82	384	362	328	305	282	249	226
10	9	6	215	2,19	452	418	373	328	282	237	192
	9	9	249	2,46	418	373	339	294	249	203	158
	9	0	158	1,64	531	486	441	395	350	305	260
	0	9	79	0,82	633	588	542	497	452	418	373
15	9	6	429	2,18	870	802	712	633	542	463	384
	9	9	475	2,45	813	734	644	565	486	395	316
	9	0	316	1,63	1017	926	847	768	678	599	508
	0	9	158	0,82	1209	1130	1051	960	881	802	712
20	9	6	870	2,29	1672	1514	1344	1186	1017	859	700
	9	9	983	2,57	1537	1378	1209	1051	881	723	565
	9	0	655	1,72	1943	1785	1616	1457	1288	1130	972
	0	9	328	0,86	2350	2192	2022	1864	1706	1537	1378
25	9	6	1819	2,30	3446	3107	2768	2440	2101	1763	1424
	9	9	2056	2,59	3163	2825	2486	2158	1819	1480	1141
	9	0	1367	1,73	4011	3672	3344	3005	2666	2327	2000
	0	9	678	0,86	4858	4519	4192	3853	3514	3175	2847
30	9	6	3310	2,29	6293	5672	5062	4451	3841	3231	2621
	9	9	3717	2,58	5773	5163	4553	3943	3333	2723	2113
	9	0	2474	1,72	7310	6700	6090	5480	4870	4259	3649
	0	9	1231	0,86	8846	8236	7626	7016	6406	5796	5186
35	9	6	4237	2,30	7965	7186	6406	5638	4858	4079	3299
	9	9	4757	2,59	7310	6530	5751	4982	4203	3423	2644
	9	0	3175	1,73	9276	8496	7717	6948	6169	5389	4610
	0	9	1582	0,86	11242	10462	9683	8914	8135	7355	6576
40	9	6	5197	2,28	9016	8146	7265	6383	5514	4632	3762
	9	9	5852	2,56	8282	7412	6530	5660	4779	3909	3028
	9	0	3909	1,71	10485	9603	8733	7852	6971	6101	5220
	0	9	1943	0,85	12699	11829	10948	10067	9197	8315	7445
45	9	6	7525	2,28	12993	11750	10507	9152	7909	6666	5423
	9	9	8474	2,56	11976	10620	9377	8135	6892	5649	4293
	9	0	5649	1,71	15140	13897	12541	11298	10055	8813	7457
	0	9	2825	0,85	18303	17060	15704	14462	13219	11976	10733
50	9	6	10168	2,33	17060	15365	13671	11976	10394	8700	7005
	9	9	11445	2,63	155591	14010	12315	10620	8926	7231	5649
	9	0	7638	1,75	19885	18190	16495	14801	13219	11524	9829
	0	9	3796	0,87	24065	22483	20789	19094	17399	15817	14123
55	9	6	13558	2,31	23274	21015	18755	16495	14236	11976	9716
	9	9	15253	2,60	21354	19094	16834	14575	12315	10055	7796
	9	0	10168	1,73	27116	24856	22596	20337	18077	15704	13445
	0	9	5084	0,87	32765	30505	28245	25986	23726	21467	19207
60	9	6	21354	2,22	39092	35363	31635	27906	24291	20563	16834
	9	9	24065	2,50	36041	32313	28697	24969	21241	17512	13897
	9	0	16043	1,66	44967	41351	37623	33894	30166	26551	22822
	0	9	8022	0,83	53892	50277	46548	42820	39092	35476	31748
66	9	6	37284	2,32	63157	57056	50842	44741	38527	32426	26325
	9	9	42029	2,61	58073	51859	45758	39544	33443	27229	21128
	9	0	27906	1,74	73551	67450	61236	55135	48921	42820	36606
	0	9	14010	0,87	89029	82928	76714	70613	64400	58298	52085
72	9	6	53101	2,28	92193	83267	74342	65529	56604	47791	38866
	9	9	59767	2,57	84849	75924	66998	58186	49260	40447	31522
	9	0	39770	1,71	106881	97955	89029	80217	71291	62479	53553
	0	9	19885	0,86	128799	119873	111061	102135	93323	84397	75585

① Ratings are with new linings. Reduce clutch torque by 10% and brake torque by 15% for fully worn linings. ② Maximum allowable pressure 100 psi.

For More Information

Eaton's worldwide network of Sales Engineers and Distributors are ready to assist you with additional technical data or application information. Call the 800 number below for the name of your nearest Airflex sales office.
Call: **1-800-824-1586** or **FAX: 216-281-3890**



Eaton offers many other answers to your clutch and brake problems.

Write or call Eaton for a free copy of the Airflex 410 page engineering catalog which covers the complete line of Airflex clutches and brakes. It contains descriptions, dimensions, application information and technical data over nineteen types of clutches and brakes offered by Eaton. Ask for Catalog 800.

Headquarters:
Eaton Corporation
Airflex Division
9919 Clinton Road
Cleveland, Ohio 44144-1077
Phone: (216) 281-2211
FAX: (216) 281-3890



See our catalog at:
www.Airflex.com

Airflex® Clutches & Brakes

Catalog A-156A
2.5M801AP
Printed in U.S.A.

